



AUXILIARY LAMP CONTROLLER



CONTENTS

INTRODUCTION	PAGE 1
SPECIFICATION	PAGE 2
INSTALLATION	PAGE 4

CONTACT INFORMATION

CARTEK AUTOMOTIVE ELECTRONICS LTD

Unit 25, Mitchell Point
Ensign Way, Hamble
Southampton
SO31 4RF
UNITED KINGDOM

+44(0)2380 457747

info@cartekmotorsport.com

www.CARTEKMOTORSPORT.com

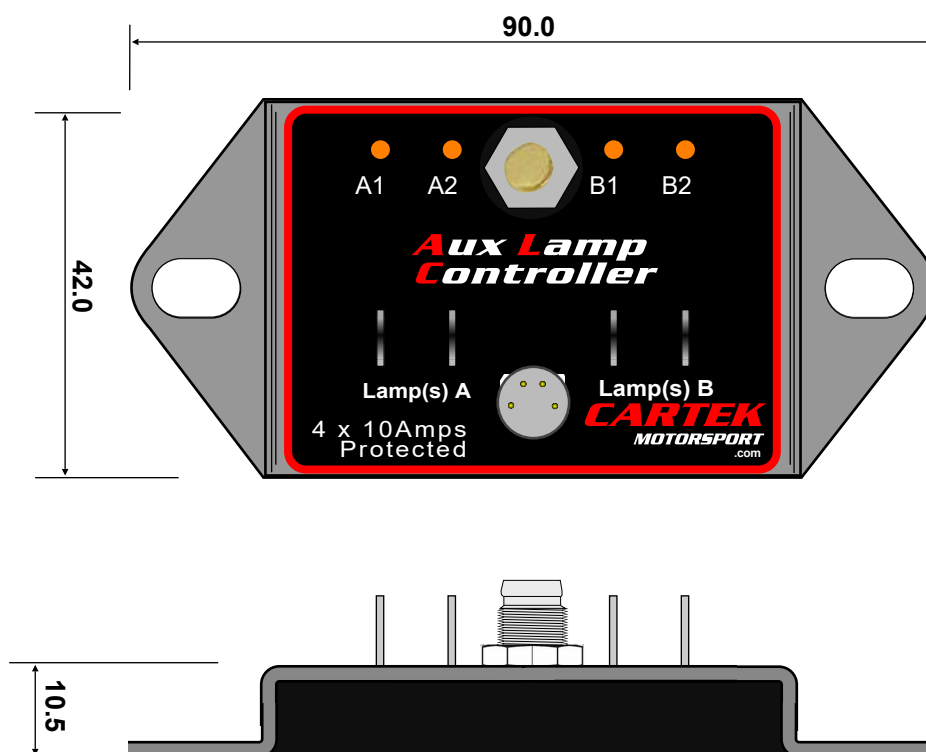
INTRODUCTION



INTRODUCTION

CARTEK have now produced a dedicated Lights Module for kit cars and Rally Cars that use additional spot lights. The switch panel enables Low beam, High beam, and an extra switch to flash the lights. The Low and High beam channels both go up to a current rating of 20 Amps each.

SPECIFICATION



Size:	L = 90mm, W = 42mm.
Weight:	80g.
Positive Power terminal:	M6 stud.
Channel Output connections	6.3mm Male Spade Terminals
Electrical Connector:	Binder
Flying Lead:	Binder 79 3384 42 04 (2 meter long)
Operational Voltage:	7v - 18v
Outputs:	10A - 12A (continuous), 18A (10 seconds) each channel. Maximum total 50A.
Current consumption:	0.02A (No Load)
Operating temperature:	-10°C - +85°C.
Storage temperature:	-40°C - +125°C



WARNING

- Please read through the Instructions thoroughly before installing on to your race car.
- The Aux Lamp Controller must be removed if any electric welding is being carried out on the car.

**MOTORSPORT IS DANGEROUS.
THIS PRODUCT IS DESIGNED FOR MOTORSPORT USE ONLY AND SHOULD NOT
BE USED ON ROAD/STREET VEHICLES OR ON PUBLIC HIGHWAYS.
NO WARRANTY IS MADE OR IMPLIED REGARDING ANY CARTEK PRODUCTS TO
PROTECT USERS FROM INJURY OR DEATH.
USER ASSUMES ALL RISKS.**

INSTALLATION

When mounting the Aux Lamp Controller, electrical contact must be made between the vehicle's chassis/earth and the metal case of the Aux Lamp Controller at its mounting points.

12v Power Input is supplied to the Aux Lamp Controller via the M6 electrical stud. (Do not over tighten.)

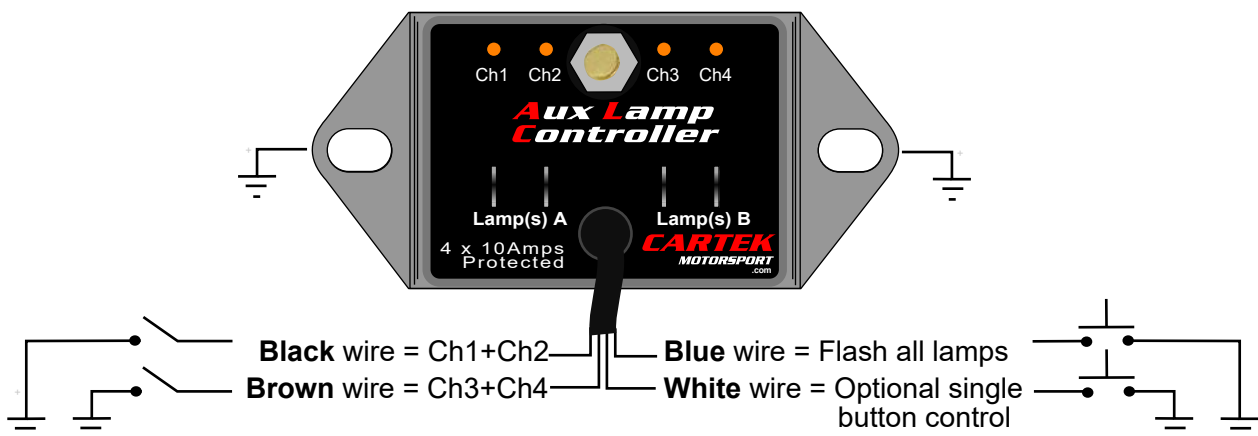
Power Output connections are made using 6.3mm spade terminals.

Each channel is turned ON by connecting the corresponding channel signal wire to chassis/earth. Connection can be made using dashboard switches, oil pressure switches, thermo-switches, etc. When a Cartek pushbutton switch, with integrated LED, is used then the LED will display the channel status:

- No LED** = Channel OFF
- LED on** = Channel ON
- Flashing** = ERROR

When short-circuit or over current is detected, the Aux Lamp Controller will shut down that channel and the corresponding LED will begin to flash.

To reset the error, switch the channel OFF then ON again.



Auxiliary Lamp Control

- Black wire** ON/OFF control of Ch1 + Ch2 (Lamps A). Earthed = ON, open-circuit = OFF.
- Brown wire** ON/OFF control of Ch3 + Ch4 (Lamps B). Earthed = ON, open-circuit = OFF.
- Blue wire** Flash all channels, (minimum 5 flashes). Earth to activate, momentary action.
- White wire** Optional. Using an earthed switched, momentary action pushbutton will allow toggling between Ch1/Ch2 (Lamps A) & Ch3/Ch4 (Lamps B). Holding switch closed for 1 second will turn all channels off.